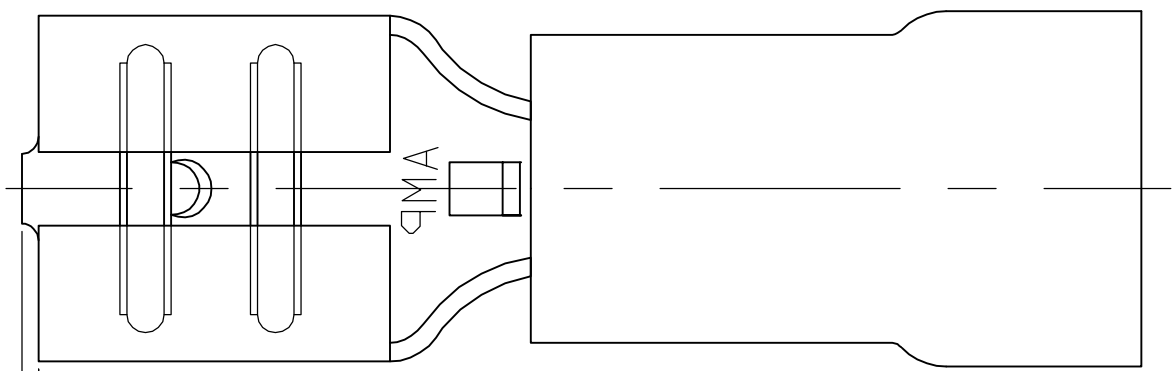


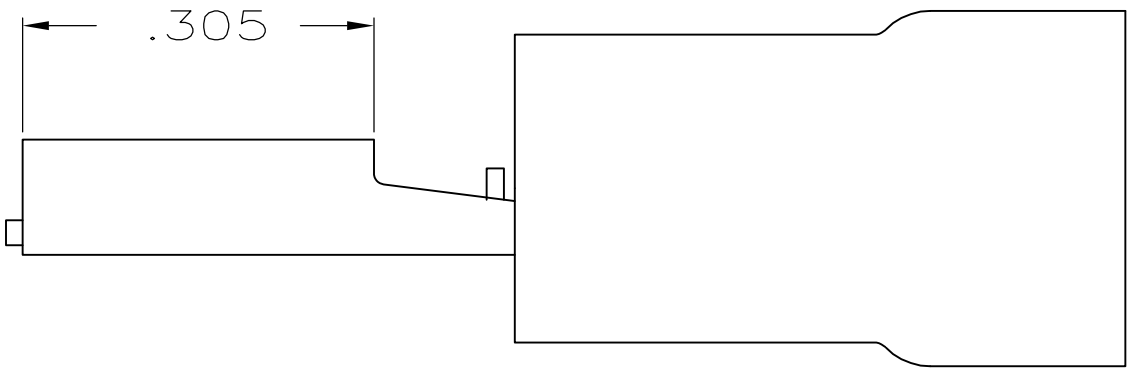
THIS DRAWING IS UNPUBLISHED. RELEASED FOR PUBLICATION
 © COPYRIGHT - BY TYCO ELECTRONICS CORPORATION. ALL RIGHTS RESERVED.

LOC	DIST	REVISIONS					
G	14	P	LTR	DESCRIPTION	DATE	DWN	APVD
			J1	REV PER ECR 06-001832	24APR06	JR	TM



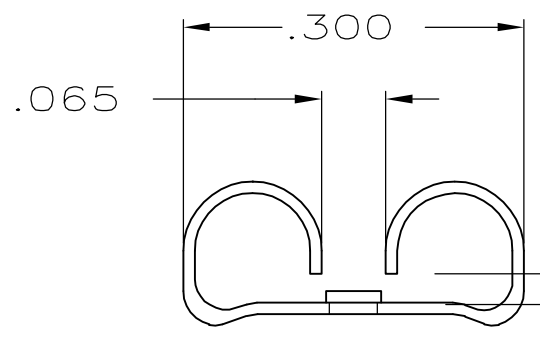
- 1. INSULATION DIA .140 MAX
- 2. FITS TAB .032 THK

.020 MAX
 .900 MAX



.305

AMP WIRE RANGE	FILE E66717	LR7189 Certified
22-18 AWG STRANDED	22-18 AWG STRANDED	22-18 AWG STRANDED



.065

.300

FITS "250" SERIES
FASTON TAB

QTY	PACKAGE TYPE	PART NO
50	LOOSE PC,BAG	8-640903-5
100	LOOSE PC,BOX	8-640903-1
4000	TAPE MOUNTED	640903-2
1000	LOOSE PIECE	640903-1

AMP INCORPORATED CUSTOMER SERVICE SYSTEMS	
FOR ADDITIONAL PRODUCT INFORMATION OR COPIES OF DRAWINGS AND TECHNICAL DOCUMENTS	PRODUCT INFORMATION CENTER 1-800-522-6752
FOR APPLICATION TOOLING INFORMATION	TOOLING ASSISTANCE CENTER 1-800-722-1111
FOR ORDER ENTRY	1-800-526-5142

MAX RECOMMENDED OPERATING TEMPERATURE: 105° C
VOLTAGE RATING: 300V MAX
CIRCULAR MIL AREA: 509-1,900 STRANDED

THIS DRAWING IS A CONTROLLED DOCUMENT.	
DIMENSIONS: INCHES	TOLERANCES UNLESS OTHERWISE SPECIFIED:
	0 PLC ± - 1 PLC ± - 2 PLC ± .015 3 PLC ± - 4 PLC ± - ANGLES ± -
MATERIAL BODY,BRASS .018	FINISH BODY,TIN

DWN L OLMEDA 26JUN95		Tyco Electronics Corporation Harrisburg, PA 17105		
CHK M ELLIS 26JUN95		NAME RECEPTACLE, 250 SERIES, FASTON , PIDG , 22-18		
APVD B BARE 26JUN95		SIZE A3	CAGE CODE 00779	DRAWING NO C-640903
PRODUCT SPEC UL 310		RESTRICTED TO -		
APPLICATION SPEC 114-1002	WEIGHT -		SCALE 6:1	
CUSTOMER DRAWING	SHEET 1 OF 1		REV J1	